

MC-S369Q

4MP High Resolution 36x Zoom Module

LVDS EX-SDI CVBS

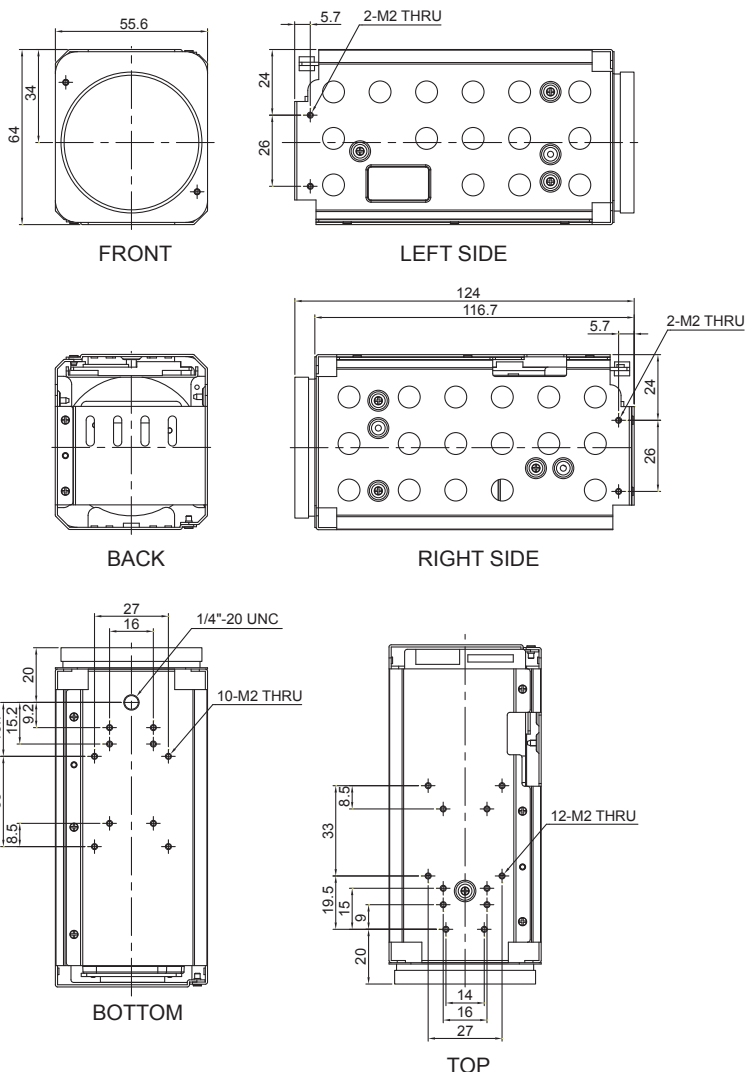


Features

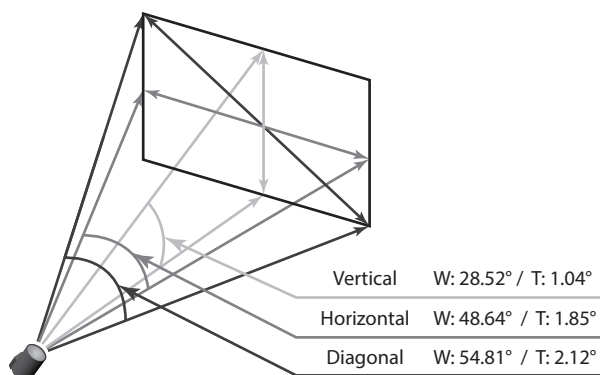
- 1/1.8" 6MP Sony CMOS sensor
- 1440p 30fps, 1080p 30fps, 720p 30fps
- 36x Optical Zoom(6mm~216mm)
& 32x Digital Zoom
- F1.5(wide) ~ F4.8(tele)
- Day & Night(ICR)
- Wide Dynamic Range
- Digital Noise Reduction(2D+3D)
- Digital Image Stabilization
- Privacy Mask Function
- High Light Compensation
- Intelligent Motion Detection
- Defog Function
- Supports VISCA, Pelco-D/P Protocol
- Video Out : LVDS, EX-SDI, CVBS

Dimensions

Unit : mm



Field of View

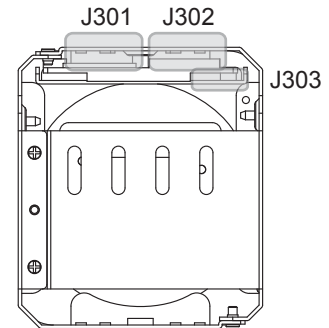


Specifications

| MC-S369Q | | | | |
|---------------------------|---|--------|--------|--------|
| Image Sensor | 1/1.8" Sony CMOS Image Sensor | | | |
| Total Pixels | 3,096(H) x 2,094(V) = 6.48M Pixels | | | |
| Active Pixels | 3,089(H) x 1,744(V) = 5.39M Pixels | | | |
| Scanning System | Progressive Scan | | | |
| Sync. System | Internal | | | |
| Resolution | Digital : 1440p30(25)fps, 1080p30(25)fps, 720p30(25)fps | | | |
| | Analog : CVBS | | | |
| Min. Illumination | Color(1/30s, 51dB) : 0.2 lux , BW(1/30s, 51dB) : 0.05lux | | | |
| | Color DSS(1/1s, 51dB) : 0.02 lux , BW DSS(1/1s, 51dB) : 0.005 lux | | | |
| Video Output | HD : LVDS, EX-SDI | | | |
| | Analog : CVBS (* Test Only) | | | |
| S/N Ratio | more than 50dB (AGC off) | | | |
| Lens Type | 36x Day & Night Zoom Lens | | | |
| Zoom Ratio | Optical 36x, Digital 32x Zoom | | | |
| Focal Length | f = 6.0 mm ~ 216.0 mm | | | |
| Aperture Ratio | F 1.5 (wide) ~ F4.8 (tele) | | | |
| Angle Of View(D, H, V) | Wide | 54.81° | 48.64° | 28.52° |
| | Tele | 2.12° | 1.85° | 1.04° |
| AF Mode | Auto / One Push / Manual | | | |
| Min. Distance | 0.1 / 1.5 / 3.0 / 5.0 / 10.0 m | | | |
| Lens Refresh | One Push / 1 ~ 10Day | | | |
| Digital Zoom | Off / MAX 2x ~ 32x | | | |
| Exposure | AUTO / IRIS.P / SHUT.P / MANUAL | | | |
| Gain Control(AGC) | 0 ~ 10 steps | | | |
| Shutter Speed | 1/30(25) ~ 1/30,000 sec | | | |
| Iris | 0 ~ 20 steps | | | |
| Digital Slow Shutter(DSS) | Off / 2x / 4x / 8x / 16x / 32x | | | |
| Brightness | 0 ~ 20 steps | | | |
| WDR/BLC | OFF / WDR / BLC | | | |
| Day&Night | Auto / Day / Night / Ext-in | | | |
| White Balance | Auto / One Push / Manual / Indoor / Outdoor / Auto-Ext | | | |
| HLC | Off / On / Night Only | | | |
| DNR | Auto / Off / Low / Middle / High | | | |
| Mirror | Off / H / V / H&V | | | |
| Sharpness | 0 ~ 10 steps | | | |
| ACE | Off / Low / Middle / High | | | |
| Defog | Off / On(Auto / Manual) | | | |
| Privacy Mask | Max. 24 Areas | | | |
| Motion Detection | Max. 3 Areas | | | |
| Defect Detection | Off / On | | | |
| System | NTSC / PAL | | | |
| Communication | Baud Rate : 2400 / 4800 / 9600 / 19200 / 38400 / 57600 / 115200 | | | |
| | Protocol : Pelco-P / Pelco-D / VISCA / Update | | | |
| Language | English / Simplified Chinese / Traditional Chinese / Japanese | | | |
| Power Source | 9V to 15V DC | | | |
| Power Consumption | 500mA | | | |
| Power Input | Connector | | | |
| Video Output | Connector | | | |
| Storage Temperature | -20℃ ~ +60℃ (Humidity : 0%RH ~ 90%RH) | | | |
| Operating Temperature | -10℃ ~ +50℃ (Humidity : 0%RH ~ 90%RH) | | | |
| Dimensions | 55.6(W) x 64(H) x 124(D) | | | |
| Weight | 404g | | | |

* Design and specifications are subject to change without notice.

Pin Assignment



| J301 | |
|------|-----------|
| 1 | TXOUT3+ |
| 2 | TXOUT3- |
| 3 | TXCLKOUT+ |
| 4 | TXCLKOUT- |
| 5 | TXOUT2+ |
| 6 | TXOUT2- |
| 7 | TXOUT1+ |
| 8 | TXOUT1- |
| 9 | TXOUT0+ |
| 10 | TXOUT0- |
| 11 | GND |
| 12 | TxD |
| 13 | RxD |
| 14 | DC IN |
| 15 | DC IN |
| 16 | DC IN |
| 17 | DC IN |
| 18 | DC IN |
| 19 | GND |
| 20 | GND |
| 21 | TXOUT7+ |
| 22 | TXOUT7- |
| 23 | TXOUT6+ |
| 24 | TXOUT6- |
| 25 | EXSDI+ |
| 26 | EXSDI- |
| 27 | TXOUT5+ |
| 28 | TXOUT5- |
| 29 | TXOUT4+ |
| 30 | TXOUT4- |

| J302 | |
|------|---------|
| 1 | GND |
| 2 | TxD |
| 3 | RxD |
| 4 | NC |
| 5 | GND |
| 6 | NC |
| 7 | GND |
| 8 | ADKEY |
| 9 | NC |
| 10 | D/N-IN |
| 11 | NC |
| 12 | MD-OUT |
| 13 | 485-DIR |
| 14 | NC |
| 15 | GND |
| 16 | +5V |
| 17 | GND |
| 18 | VBS-OUT |
| 19 | GND |
| 20 | DC IN |
| 21 | DC IN |
| 22 | DC IN |
| 23 | DC IN |
| 24 | DC IN |

Ref 05002HR-24J05(YEONHO)

| J303 | |
|------|---------|
| 1 | GND |
| 2 | VBS-OUT |

Ref 12505WR-02(YEONHO)

Ref USL00-30L-C(KEL Cop.)